

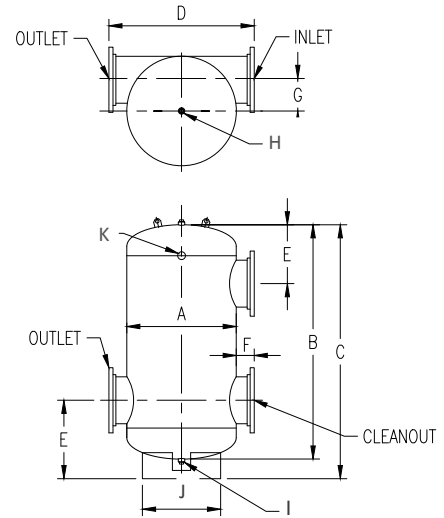
# TANGENTIAL AIR SEPARATORS

## With Strainer



### FEATURES AND BENEFITS

- ASME constructed and stamped
- 8" and under is 150 PSIG design pressure
- 10" and larger is 125 PSIG design pressure
- MNPT inlet and outlet on 2" and 2 1/2"
- 3" and larger flanged inlet and outlet
- 375° F maximum operating temperature
- Carbon steel construction— primed and painted exterior
- Tangential design results in small unit
- Quick access to strainer for maintenance
- Provides air free fluid flow which protects against damage and system noises
- Higher working pressures, special materials, and/or grooved connections available

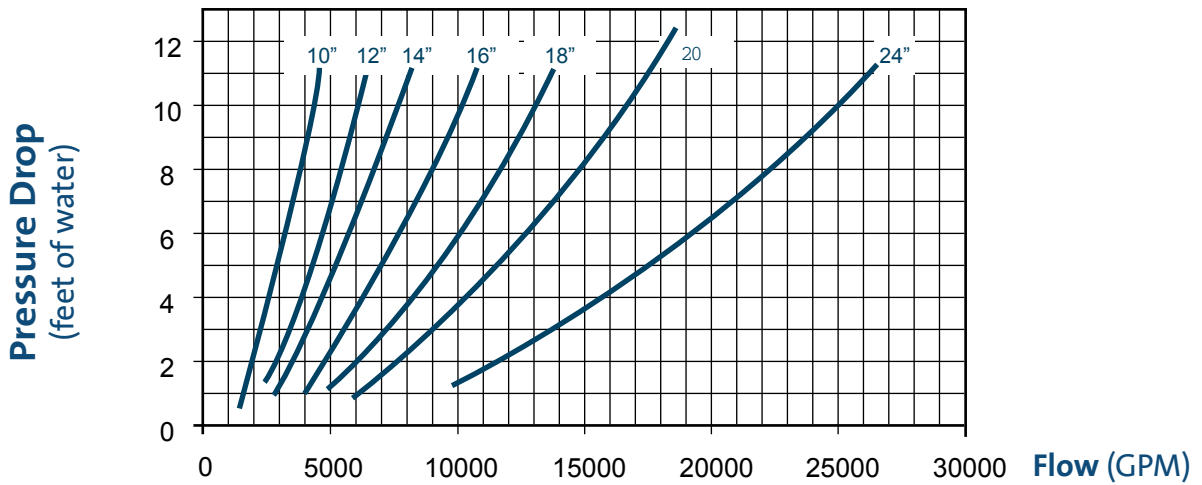
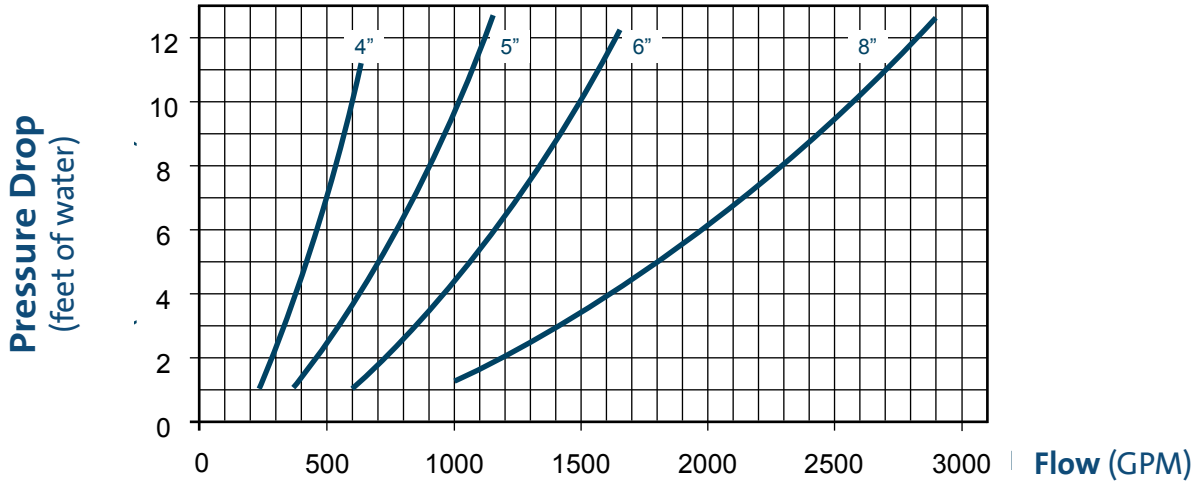
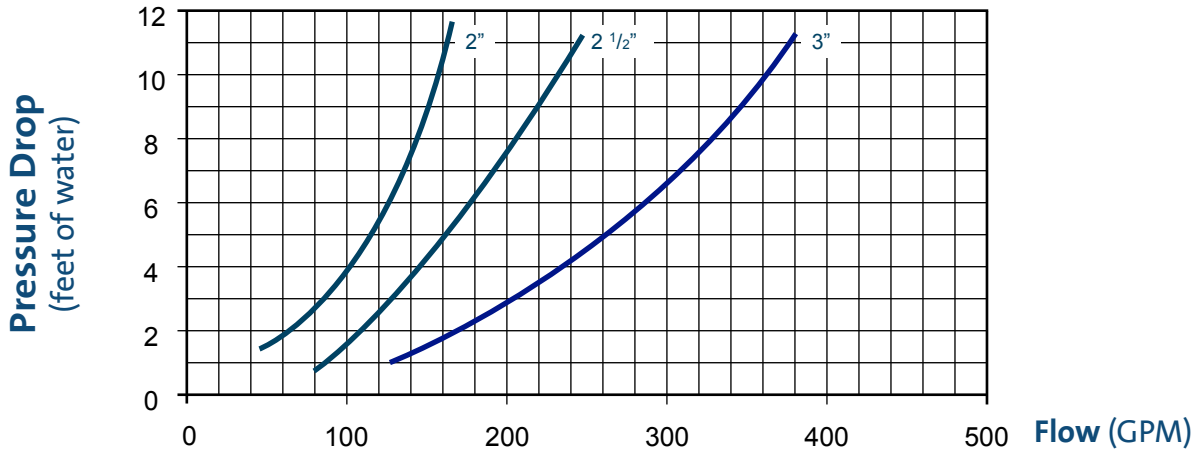


### TECHNICAL DATA

Part No.	Inlet/Outlet	Rated Flow (GPM)	Dimensions in Inches								Clean-Out	NPT - Openings (Inches)			Water Volume	Ship Weight
			A	B	C	D	E	F	G	J		H	I	K		
<b>Includes Strainer &amp; Clean Out</b>																
99028554	2"	80	12	19 1/2	22 1/2	16 5/8	5 1/2	2 1/8	4 5/16	9 1/2	2" NPT	1 1/4	1	1/2	10	48
99028555	2.5"	120	12	19 1/2	22 1/2	16 5/8	5 1/2	2 3/8	4 1/16	9 1/2	2.5" NPT	1 1/4	1	1/2	10	58
99028556	3"	210	12	19 1/2	22 1/2	19 3/4	5 3/4	2 1/2	3 3/4	9 1/2	3" RFSO	1 1/4	1	1/2	10	70
99028557	4"	400	14	29	32	21 3/4	9 1/8	2 1/2	4 1/4	11 1/2	4" RFSO	1 1/2	2	1/2	19	108
99028558	5"	600	14	29	32	21 3/4	9 1/8	2 1/2	3 3/4	11 1/2	5" RFSO	1 1/2	2	1/2	19	136
99028559	6"	900	20	41	44	28	13 1/4	2 1/2	6 1/4	18	6" RFSO	2	2	1/2	56	236
99028560	8"	1,600	20	41	44	28	13 1/4	3	5 3/16	18	8" RFSO	2	2	1/2	56	356
99028561	10"	2,500	30	58	60 1/2	41	19	3 1/2	9 1/8	24	10" RFSO	2	2	1/2	177	660
98842822	12"	3,600	30	58	60 1/2	41	19	3 1/2	8 1/8	24	12" RFSO	2	2	1/2	177	870
98842823	14"	4,200	36	75 1/2	80	46 3/8	22	3 1/2	10 3/16	30	14" RFSO	2	2	1/2	333	1,220
98933667	16"	5,800	48	100	108	60	30	3 5/8	12 1/2	38	16" RFSO	2	2	1/2	783	2,700
96689162	18"	7,000	54	116	124	66	33	3 5/8	13 5/8	44	18" RFSO	2	2 1/2	1/2	1150	3,000
98933668	20"	8,600	60	130	138	72	35	7	16	50	20" RFSO	2	2 1/2	1/2	1591	4,000
98933669	24"	12,500	72	152	160	84	40	8	19	62	24" RFSO	2	2 1/2	1/2	2679	NA

# PRESSURE DROP CHART

## AIR SEPARATOR *with strainer*



GRUNDFOS  
 902 Koomey Road  
 Brookshire, TX 77423  
 281-994-2700  
 800-955-5847

[www.grundfosexpresssuite.com](http://www.grundfosexpresssuite.com)  
[www.grundfos.us](http://www.grundfos.us)

The name Grundfos, the Grundfos logo, and be think innovate are registered trademarks owned by Grundfos Holding A/S or Grundfos A/S, Denmark. All rights reserved worldwide.

